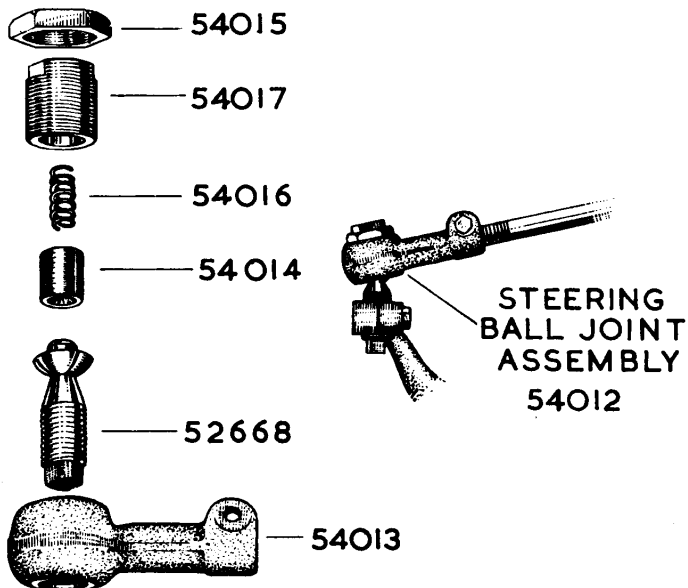


## Item No.30. STEERING BALL JOINT - PB. MODELS.

A re-designed steering ball joint assembly, (Part No.54012) has been fitted to all Javelin cars with effect from engine no.E0/PB/10789, as shown in the sketch below.



The new assembly has been designed for ease of dismantling and is fully interchangeable with the previous type of steering ball joint assembly, (Part No.52668).

To adjust the spring tension, release the lock nut, (Part No.54015) and screw the spring retaining nut in a clockwise direction until solid. From this point release the spring retaining nut a quarter of a turn and lock with the lock nut, (Part No.54015)