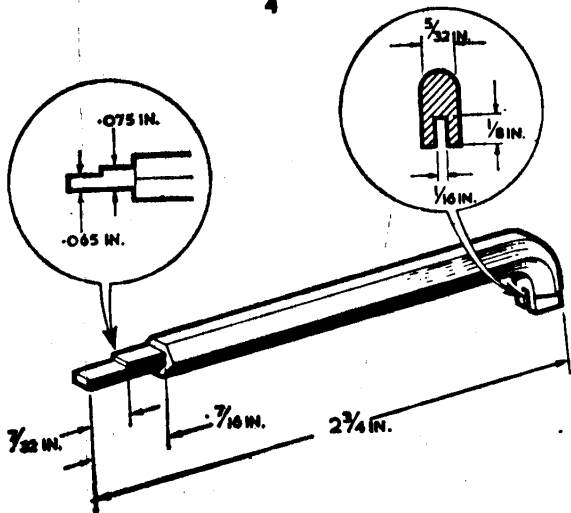


4



$-.065$ in. = 1.65 mm. $-.075$ in. = 1.9 mm.

$\frac{1}{16}$ in. = 1.6 mm.

$\frac{1}{8}$ in. = 3.2 mm.

$\frac{1}{4}$ in. = 4 mm.

$\frac{7}{32}$ in. = 5.5 mm.

$\frac{7}{16}$ in. = 11 mm.

$2\frac{3}{4}$ in. = 70 mm.