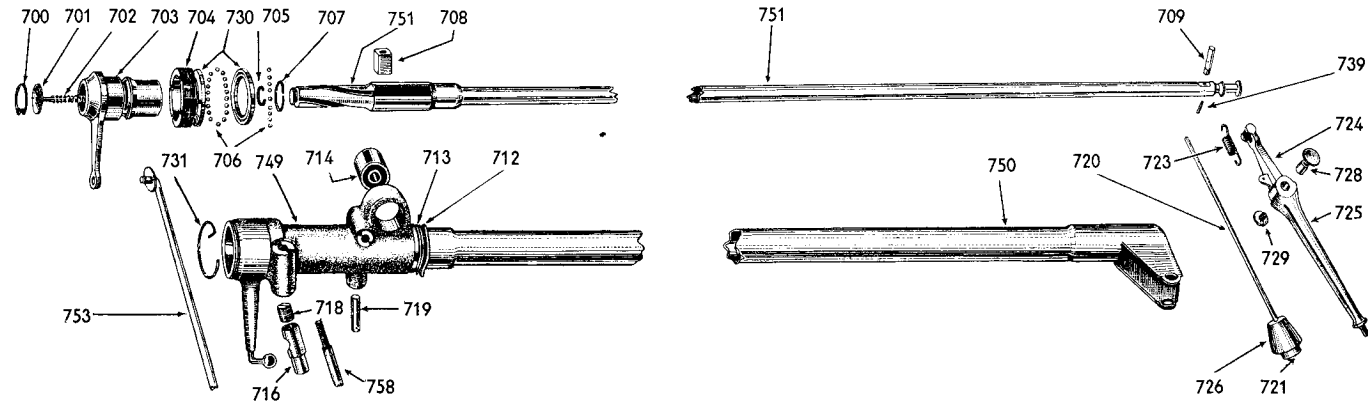


Gearchange Column



Item No.	Part No.	Quantity	Description	Notes	Item No.	Part No.	Quantity	Description	Notes	
			GEAR CHANGE COLUMN		†735	J54499	1	Stay Rod Eye Assembly		
*700	50372	1	Seager Internal Circlip		†736	J54500	1	„ Adjusting Rod		
*701	50362	1	Selector Change Thrust Plate		†737	FNL205/K	1	Lock Nut, $\frac{1}{8}$ B.S.F., L.H. Thread		
*702	50368	1	„ „ Return Spring		†738	J54029	1	Link Adjustment Sleeve		
*703	50365	1	„ „ Nut		*739	50359	1	Gear Lever Dowel Pin		
*704	52635	1	„ „ Thrust Cap					RIGHT HAND DRIVE ONLY		
*705	50371	1	„ „ Screw Circlip, $\frac{5}{16}$ in. dia.					749 50330AS	1	Gear Change Column, complete
*706	50374	27	Steel Balls					750 50330	1	„ „ „ only
*707	50370	1	Selector Change Nut Circlip, $\frac{1}{8}$ in. dia.					751 50339	1	Selector Change Column
*708	50347	1	„ „ Pad		†752	54031	1	„ „ Link Assembly		
*709	50345	1	Reverse Lock Plunger		753	54032	1	„ „ „ only		
*†711	ND2591	2	Ball Joint—Selector Link		†754	54035	1	Ball Joint Connecting Screw		
*712	50338	1	Gear Change Column Circlip		†755	54034	1	Adjusting Nut—Selector Link		
*713	50334	1	„ „ „ Spring		†756	FNL104/K	1	Link Nut ($\frac{1}{4}$ in. B.S.F., L.H. Thread)		
*714	50493	1	Silentbloc Bush		†757	54027	1	Gear Change Link Assembly		
†715	FB106/11	1	„ „ Bolt		758	54030	1	„ „ Link		
*716	50376	2	Gear Link Socket—Female		†759	54028	1	„ „ „ Socket—Male		
*†717	52416	1	Thackeray Washer		†760	FNL105/K	1	Locknut ($\frac{1}{8}$ in. B.S.F., L.H. Thread)		
*718	50377	2	Gear Link Socket Plug		†761	J54498	1	Gear Change Stay		
*719	50348	1	Selector Change Pad Spindle		†762	J54497	1	„ „ „ Assembly		
*720	50357	1	Reverse Lock Rod		†763	52190	1	„ „ „ Pin to Clutch Housing		
721	50356	1	„ „ Knob (Standard)		†764	52091	2	Selector Link Locknut (2BA)		
*†722	1A53811	1	„ „ „ (De-luxe)					LEFT HAND DRIVE ONLY		
*723	50361	1	Gear Lever Spring		†774	52346AS	1	Gear Change Column, complete		
*724	50351	1	„ „ Lever		†775	52477	1	Selector Change Column		
*725	50350	1	„ „ Cover		†776	52346	1	Gear Change Column only		
*726	50354	1	„ „ Knob (Standard)		†777	J54507	1	„ „ „ Stay		
†727	1A53810	1	„ „ „ (De-luxe)		†778	J54506	1	„ „ „ Assembly		
*728	50358	1	„ „ „ Pivot Pin		†779	52270	1	Intermediate Lever Assembly		
*729	50360	1	„ „ „ „ Nut		†780	52275	1	Gear Change Link		
*730	52636	2	Selector Change Thrust Ring		†781	52276	1	Selector Change Link		
*731	52634	1	„ „ „ „ Spring		†782	52274	1	Gear Change Stay Pin to Clutch Housing		
†732	52189	1	Gear Change Stay Retainer Washer		†783	52267	1	Selector Change Lever Link		
†733	50933	1	„ „ „ „ Bush Rubber							
†734	50934	1	„ „ „ „ Steel Bush							

* Denotes items common to Jupiter

† Denotes items not illustrated

Always quote engine, body-frame, part and item numbers in full.