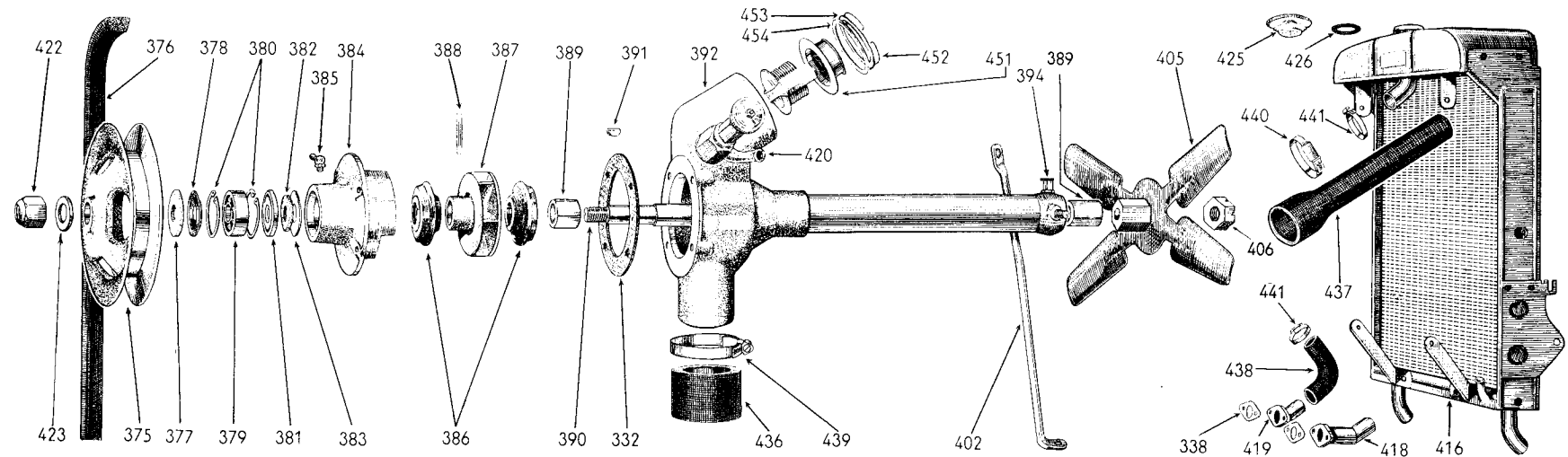


Cooling System



Item No.	Part No.	Quantity	Description	Notes	Item No.	Part No.	Quantity	Description	Notes
			WATER PUMP ASSEMBLY					RADIATOR AND FITTINGS	
†374	J54654	1	Water Pump, complete		416	J54521	1	Radiator including Filler Cap and Ring—R.H.D.	
*375	50594	1	" " Pulley		†417	J54522	1	" " " " —L.H.D.	
376	50821	1	Accessory Drive Belt		418	50826	1	Water Elbow—L.H.	
*377	50613	1	Outer Oil Seal		419	50829	1	" " —R.H.	
*378	50614	1	" " " Pressing		420	52219	1	" " Pump Tap (De luxe only)	
*379	50611	1	Water Pump Bearing		422	52164	1	Self-locking Nut	
*380	50612	2	Bearing Circlip		*423	52193	1	Flat Washer	
*381	50609	1	Inner Oil Seal Housing		†424	54234	1	Heater Pipe Plug (Standard only)	
*382	50608	1	" " " Felt		425	J54645	1	Radiator Filler Cap (AC. No. 1571506)	
*383	50610	1	" " " Washer		426	54322	1	" " Cap Sealing Ring	
384	52710	1	Housing Cover					HOSES AND CLIPS	
385	54360	1	Water Pump Greaser		*436	50617	1	Water Pump Hose	
*386	50602	2	" " Seal		437	50751	1	" " Hose—Top	
*387	J54414	1	Impellor Assembly		438	50752	2	" " —Bottom	
*388	50615	1	Mills Pin		*439	50618	2	Hose Clip	
*389	50600	2	Water Pump Rear Bearing		*440	50753	1	Large Hose Clip	
390	J54518	1	" " Spindle		441	50754	5	Small " " "	
*391	50616	1	Woodruff Key					THERMOSTAT	
392	J54505	1	Water Pump Housing Assembly		*451	50768	1	Thermostat	
*†393	52012	1	" " Plug (Heater Tap not fitted)		*452	4022x3	1	Circlip	
*394	54011	1	Oil Cup		*453	6228x1	1	Packing Washer	
			FAN AND FAN SUPPORT ASSEMBLY		*454	6228x2	1	Rubber " "	
402	54333	1	Fan Support Strut—L.H.						
†403	54334	1	" " —R.H.						
†404	J54425	2	Oddie Nut						
*405	53798	1	Fan Assembly						
406	FN406/K	1	" Locknut						

* Denotes items common to Jupiter

† Denotes items not illustrated

Always quote engine, body-frame, part and item numbers in full.