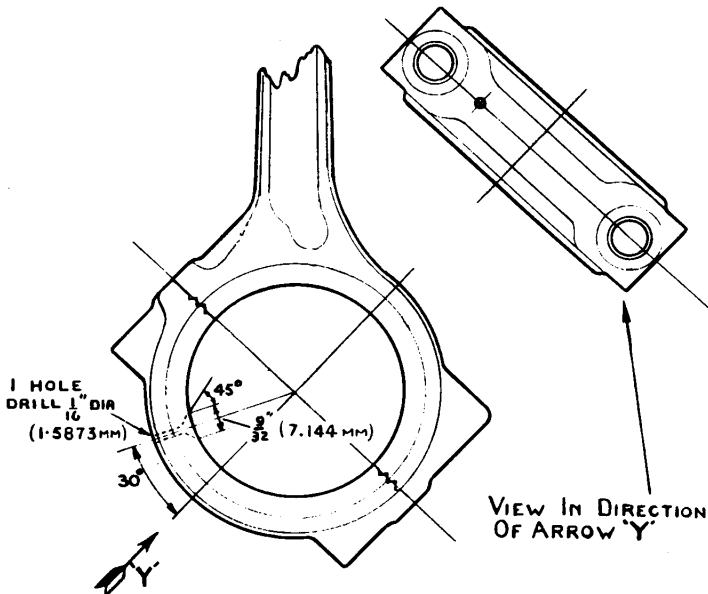


Item No. 53 SLUDGE RELEASE HOLE - P.C. MODELS

From investigations we have recently carried out, we consider it desirable to incorporate a Sludge Release Hole in the connecting rod cap and bearing. This modification has been incorporated from Engine No. El/PC/17402 and takes the form of a $1/16"$ (1.5873 mm.) hole drilled 30° off centre of the connecting rod cap.

The connecting rod bearing, (Part No. 52574), has also been drilled $1/4"$ Dia ($.350$ mm) to correspond with the connecting rod drilling.

Arrangements are being made for all service replacement connecting rods, (Part No. 54024), and connecting rod bearing shells (Part No. 52574), supplied from our Spares Department to incorporate the Sludge Release Hole.



SLUDGE RELEASE HOLE