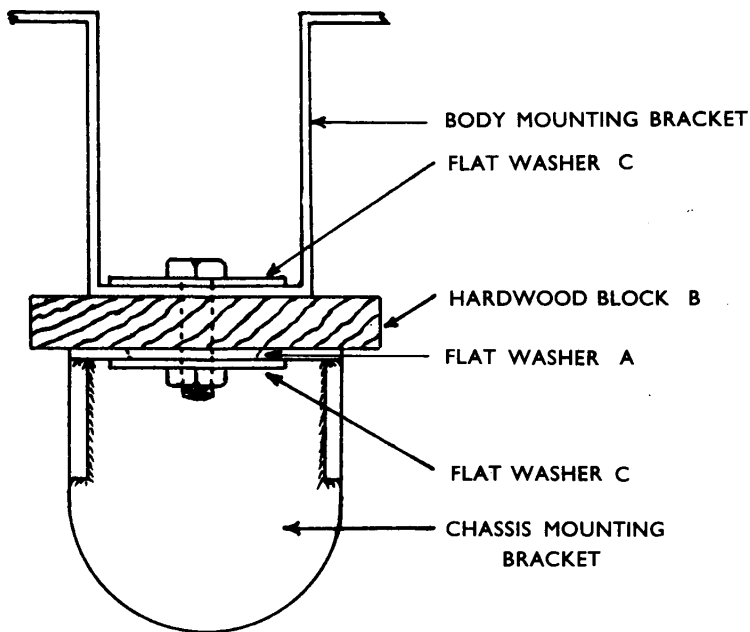


NOTE. The nuts must not be tightened at this stage.



VIEW THROUGH SIDE OF BODY

FIG. 1

5. Utilize the material shown in (Fig.2.) i.e. 2 U Bolts D., 2 hardwood packing pieces E., 4 stiffener plates F. Fit the parts as shown in (Fig.3.) to the rear struts and dash panel, placing stiffener plates F at each side of the dash panel. Fully tighten down the nuts.
6. Tighten the four body mounting bolts.