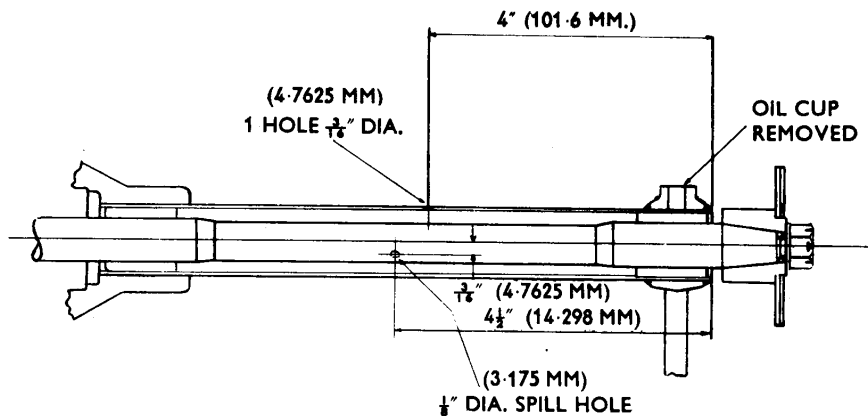


A $\frac{3}{16}$ " (4.7625 mm) hole is now incorporated in the Fan Support Tube for lubrication purposes together with a $\frac{1}{8}$ " (3.175 mm) spill hole to prevent over lubrication.



Item No.94 GEAR CHANGE STAY

JAVELIN - ALL MODELS

Further to Item No. 84.

From Engine No. E2/PD/20144 a modified Gear Change Stay was introduced to all Javelin Cars. This modification gives added strength to the Gear Change Stay and takes the form of a pressed steel stay Part No. J54584 Right Hand Drive and Part No. 54596 Left Hand Drive which replace the rods incorporated with the previous type Gear Change Stays Part No. J54498 Right Hand Drive and Part No. J54507 Left Hand Drive. The revised type Gear Change Stay is interchangeable with the previous type on Right Hand Drive Models and the modified Gear Change Stay and Stay Rod Eye Part No. J54630 together are interchangeable with those on Left Hand Drive Models. For parts information, please refer to Spares Note No. 105.