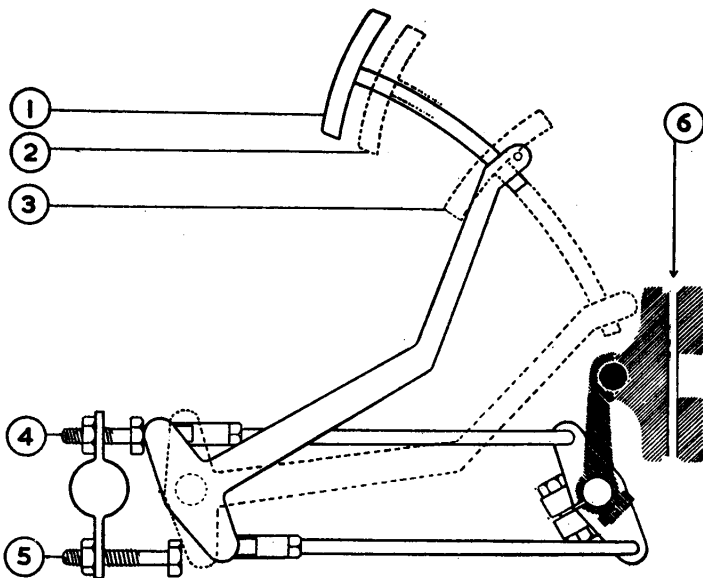


is fully released (3).



### TAPPETS.

The Tappet assemblies are free to rotate in the crankcase and are fully interchangeable.

When removing tappet assemblies it will be necessary to remove the corresponding valve.

The tappet clearance should be .006" (.1524 mm) set with the engine cold. To make quite sure that any particular valve is fully closed, adjust each valve when the corresponding valve on the opposite cylinder is fully open.