

Clutch Assembly

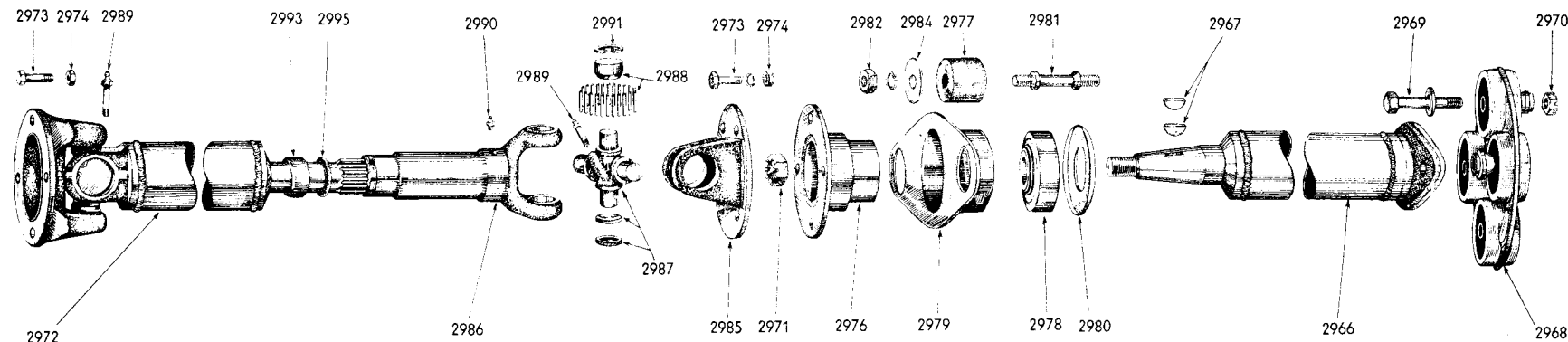
Description	Notes
SYSTEM continued	
le	
ng Assembly	
Greaser	
PORT BRACKET ASSEMBLY	
et Assembly	
-Rubber	
FITTINGS	
Filler Cap and Ring	
ap	
aling Ring	
ng Pad	
Block	
.. Bolt	
daptor	
IPS	
hose—R.H.	
.. —L.H.	
Pump to 3-way)	
AND CLUTCH ASSEMBLY	
D CLUTCH	
R.H.D.	
L.H.D.	
ate—R.H.D.	
—L.H.D.	
ATING MECHANISM	
H.D.	
H.D.	
ng—L.H.D.	
Lever—L.H.D.	
Rod—R.H.D.	
.. —L.H.D.	
ollar	
Pedal Shaft—R.H.D.	
.. —L.H.D.	
.. Key —L.H.D.	

Gear Change Column

Item No.	Part No.	Quantity	Description	Notes
GEAR CHANGE COLUMN				
†2930	52887AS	1	Gear Change Column, complete—R.H.D.	
†2931	53575AS	1 —L.H.D.	
†2932	52887	1 only—R.H.D.	
†2933	53575	1 —L.H.D.	
†2934	52890	1	Selector Change Column—R.H.D.	
†2935	53573	1 —L.H.D.	

Propellor Shafts

Item No.	Part No.	Quantity	Description	Notes
†2936	52894	1	Gear Change Link—R.H.D.	
†2937	53580	1 —L.H.D.	
†2938	52895AS	1	Selector Change Link Assembly—R.H.D.	
†2939	53613	1 —R.H.D.	
†2940	53581	1 —L.H.D.	
†2941	53097	1	Gear Change Spacer	



Item No.	Part No.	Quantity	Description	Notes	Item No.	Part No.	Quantity	Description	Notes
PROPELLOR SHAFTS									
†2965	53000	1	Propellor Shaft Assembly		2985	K1-2-39R	2	Flange Yoke	
2966	52991	1	Front Propellor Shaft only		2986	K1-3-GB18	1	Sleeve .. Assembly	
2967	BS90	2	Woodruff Key		2987	K1-5-GB58	2	Journal Assembly	
2968	50916	1	Layrub Coupling		2988	K1-6-GB28	8	Needle Bearing Assembly	
2969	2207	4	Coupling Bolt— $\frac{1}{2}$ in. dia.		2989	94-GB1598	2	Lubricator (Journal)	
2970	FN407K	4	.. Nut — $\frac{1}{2}$ in. dia.		2990	94-GB2204	1	Lubricator (Sleeve)	
2971	FN410K	1	Slotted Nut		2991	K1-7-GB19	8	Snap Ring	
2972	52999	1	Rear Propellor Shaft with Splined Coupling		†2992	K5-L1	2	Unit Package	
2973	FB105 7	8	Bolt—Rear Propellor Shaft, $\frac{3}{16}$ in. B.S.F. $\times \frac{3}{8}$ in. long		2993	K1-14-GB19	1	Dust Cap	
2974	FN405K	8	Nut—Front and Rear Propellor Shaft, $\frac{3}{16}$ in. B.S.F. Slotted		†2994	K1-15-GB13	1	Steel Washer	
†2975	53163	1	Centre Support Bearing Assembly—SK1144/B		2995	K1-16-GB13	1	Cork Washer	
2976	K1-1GB1164	1	Companion Flange (Midship)		REAR AXLE				
2977	94-GB2399	2	Rubber Insulator		†2996	53376	1	Rear Axle, complete	
2978	94-GB2147	1	Bearing Assembly		†2997	53376R	1	Reconditioned Rear Axle	
2979	94-GB2286	1	Bearing Housing Assembly		†2998	53478	1	Service Carrier Tube Assembly	
2980	94-GB2146	1	Dust Shield		†2999	53480	1	Drive Gear and Pinion Assembly	
2981	94-GB2393	2	Insulator Stud		†3000	53481	1	Companion Flange	
2982	6-74-GB11	4	Nut		†3001	54256	1	Differential Case Assembly	
†2983	6-75-19	4	Washer (Spring)		†3002	53485	2	Axle Shaft	
2984	94-GB2149	2	Washer (Plain)						

* Denotes items common to Jupiter

† Denotes items not illustrated

Always quote engine, chassis, part and item numbers in full.