

Engine

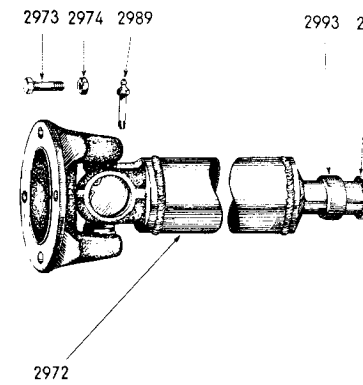
Cooling System

Fly Wheel and Clutch Assembly

Gear Change Co

Item No.	Part No.	Quantity	Description	Notes	Item No.	Part No.	Quantity	Description	Notes
ENGINE					COOLING SYSTEM <i>continued</i>				
TIMING CASE AND TAPPET COVERS					FAN AND SUPPORT BRACKET ASSEMBLY				
†2800	J54531	1	Front Timing Case Cover		†2849	1.53797	1	Water Pump Spindle	
†2801	3163x7	1	Filler Cap		†2850	52972	1	" " Housing Assembly	
†2802	1.53705	1	Oil Filler Tube Assembly		†2851	52172	1	" " Greaser	
†2803	53107	1	Tappet Cover Assembly—L.H. (R.H.D.)		RADIATOR AND FITTINGS				
†2804	1.53700	1	" " " —R.H. } (L.H.D.)		†2855	52726	1	Radiator including Filler Cap and Ring	
†2805	1.53678	1	" " " —L.H. }		†2865	52877	1	" Filler Cap	
†2806	53036	1	Pump Drive Cover Plate		†2866	52878	1	" Sealing Ring	
CRANKCASE AND CYLINDER LINERS					†2856	53798	1	" Mounting Pad	
†2810	1.53693	8	Cylinder Head Stud—Short		†2857	FN406 K	1	" Nut	
†2811	1.53692	8	" " " —Long		†2858	52978	1	" Bearing Ring—Rubber	
†2812	1.53694	2	" " " —Centre		†2859	W 7	1	" Washer	
†2813	53668	2	Water Transfer		†2860	54011	2	Oil Cup	
CYLINDER HEADS AND ROCKER COVERS					†2864	1.53728	1	Radiator including Filler Cap and Ring	
†2820	53500	1	Cylinder Head—R.H.		†2865	52877	1	" Filler Cap	
†2821	53499	1	" " —L.H.		†2866	52878	1	" Sealing Ring	
†2822	1.53687	1	Exhaust Manifold—L.H.		†2867	52884	4	" Mounting Pad	
CONNECTING RODS, PISTONS AND RINGS					†2868	52885	2	" " Block	
†2825	53227	4	Piston, complete with Rings and Pin (standard)		†2869	FB105/12	4	" " Bolt	
VALVE GEAR					†2870	1.53701	2	Water Elbow	
†2828	1.53696	8	Push Rod, complete		†2871	52883	1	Three-way Hose Adaptor	
OIL COOLER (BOWMAN ENGINE MOUNTED)					HOSES AND CLIPS				
†2830	1.53915	1	Oil Cooler Assembly		†2877	52881	1	Radiator Bottom Hose—R.H.	
†2831	FS104/4	2	Setscrew, ¼ in. B.S.F. × ½ in.		†2878	52882	1	" " " —L.H.	
†2832	FN104/K	2	Nut, ¼ in. B.S.F.		†2879	52879	2	Top Water Hose	
†2833	1.53917	1	Oil Cooler Outlet Pipe		†2880	52880	1	" " (Pump to 3-way)	
†2834	1.53906	2	½ in. Nipple		†2881	50754	4	Hose Clip—Small	
†2835	1.53905	1	Union Body		†2882	416A	4	" " —1½ in.	
†2836	1.53919	1	Oil Cooler Inlet Pipe		FLY WHEEL AND CLUTCH ASSEMBLY				
†2837	1.53912	1	Support Bracket		FLYWHEEL AND CLUTCH				
FRONT ENGINE MOUNTINGS					†2886	53038	1	Clutch Assembly—R.H.D.	
†2838	52737	1	Mounting Bracket Assembly—L.H.		†2887	1.53726	1	" " —L.H.D.	
†2839	52741	1	" " " —R.H.		†2888	52426A	1	" Friction Plate—R.H.D.	
GASKETS AND SEALING WASHERS					†2889	1.53727	1	" " " —L.H.D.	
†2840	1.53691	2	Cylinder Head Gaskets		CLUTCH OPERATING MECHANISM				
†2841			Engine Overhaul Gasket Set		†2894	52922	1	Clutch Pedal—R.H.D.	
†2842			Engine Decarbonising Set		†2895	53631	1	" " —L.H.D.	
COOLING SYSTEM					†2896	54069	1	Pedal Return Spring—L.H.D.	
WATER PUMP ASSEMBLY					†2897	53533	1	Clutch Operating Lever—L.H.D.	
†2845	1.53960	1	Water Pump, complete		†2898	52924	1	Pedal Spring Link	
†2846	52164	1	Simmonds Self-lock Nut		†2899	52926	1	Clutch Operating Rod—R.H.D.	
†2847	52979	1	Accessory Drive Belt		†2900	53596	1	" " —L.H.D.	
†2848	50603	1	Housing Cover		†2901	52928	2	Pedal Retaining Collar	
					†2902	52932	1	Brake and Clutch Pedal Shaft—R.H.D.	
					†2903	53528	1	" " " " —L.H.D.	
					†2904	50616	1	" " " " Key —L.H.D.	

Item No.	Part No.	Quantity	Description
†2930	52887AS	1	GEAR CHA
†2931	53575AS	1	Gear Change
†2932	52887	1	" "
†2933	53575	1	" "
†2934	52890	1	Selector Char
†2935	53573	1	" "



Item No.	Part No.	Quantity	Description
†2965	53000	1	PROPELL
2966	52991	1	Propellor Sh
2967	BS90	1	Front Propel
2968	50916	2	Woodruff Ke
2969	2207	4	Layrub Coup
2970	FN407K	4	Coupling Bo
2971	FN410K	4	" Nut
2972	52999	1	Slotted Nut
2973	FB105.7	1	Rear Propell
2974	FN405K	8	Bolt—Rear P
†2975	53163	8	Nut—Front
2976	K1-1GB1164	1	Slotted
2977	94-GB2399	1	Centre Suppo
2978	94-GB2147	1	Companion B
2979	94-GB2286	2	Rubber Insul
2980	94-GB2146	1	Bearing Asse
2981	94-GB2393	1	Bearing Hous
2982	6-74-GB11	1	Dust Shield
†2983	6-75-19	2	Insulator Stu
2984	94-GB2149	4	Nut
		4	Washer (Spr
		2	Washer (Plai

* Denotes items common to Jupiter
† Denotes items not illustrated

Always quote engine, chassis, part and item numbers in full.

* Denotes items common to Jupiter
† Denotes items not illustrated