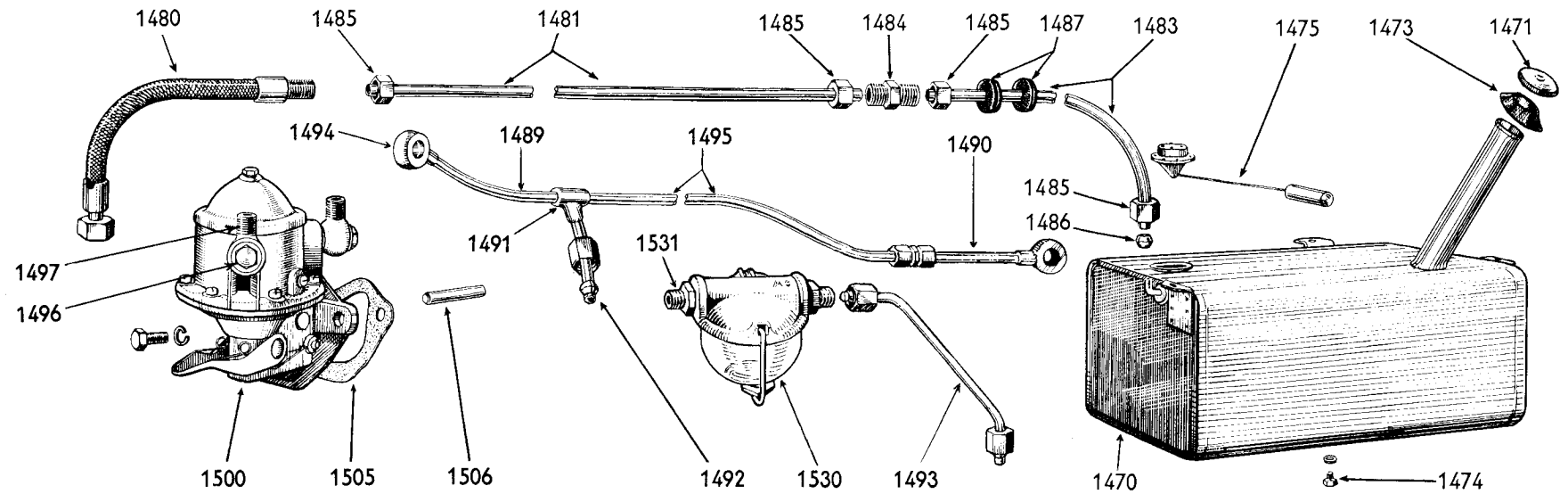


Fuel System



Item No.	Part No.	Quantity	Description	Notes	Item No.	Part No.	Quantity	Description	Notes
			TANK AND FITTINGS					PETROL PUMP	
1470	52200	1	Petrol Tank, complete		1500	50769	1	Petrol Pump	
1471	52201	1	" Filler Cap Standard		†1501	50769R	1	Reconditioned Petrol Pump	
†1472	51325	1	Filler Cap Locking Type		†1502	50769/A	1	Petrol Pump Diaphragm	
1473	50890	1	" Neck Grommet		†1503	50769/B	1	Screen	
*1474	50299	1	Drain Plug		†1504	50769/C	1	" " Cork Washer	
1475	50814	1	Petrol Gauge Tank Unit		1505	50833	1	" " Flange Gasket	
†1476	50991	6	Screws for Tank Unit 3BA x 5/16 in.		1506	50834	1	" " Operating Rod	
†1477	52181	3	Tank Packing Piece						
			PIPES AND FITTINGS					AIR SILENCER AND FITTINGS	
*1480	6215x13	1	Flexible Pipe					Air Inlet Bellows	
1481	50966	1	Petrol Pipe—Front R.H.D.		†1510	50897	2	" " " Clip (2 1/4 in. dia.)	
†1482	54057	1	" " —Front L.H.D.		†1511	50618	4	" " " " "	
1483	52613	1	" " —Rear		†1512	52374	2	" Intake Tube Ferrule	
*1484	52203	2	" " Union		†1513	50996	2	" " Gauze Disc	
1485	ND392	8	Union Nut		†1514	52614	1	" Filter Assembly, complete	
1486	ND392A	8	Olive		†1515	52615	1	Filter Base Assembly	
1487	52007	2	Fuel Pipe Grommet		†1516	52620	1	" Element Housing, complete	
†1488	J54404	1	Petrol Pipe Assembly		†1517	52553	1	" Element	
1489	J54567	1	" " Sub. Assembly R.H. Petrol Pipe		†1518	52622	1	Air Filter Packing—Long	
1490	J54407	1	" " —Short		†1519	52623	1	" " " —Short	
1491	50984	1	T Connector		†1520	52624	2	" " Packing	
1492	J54405	1	Petrol Pipe—Centre		†1521	52609	2	" " Support Clip	
1493	J54408	1	" " —Intermediate		†1522	54042	2	" " " Bracket Assembly	
1494	52169	2	Banjo Union		†1523	50895	1	" Intake Tube—L.H.	
1495	J54568	1	Petrol Pipe—L.H.		†1524	50900	1	" " " —R.H.	
1496	AC114631	2	Banjo Bolt		†1525	52523	1	" Silencer Box	
1497	AC1524322	2	Banjo						

* Denotes items common to Jupiter

† Denotes items not illustrated

Always quote engine, body-frame, part and item numbers in full.