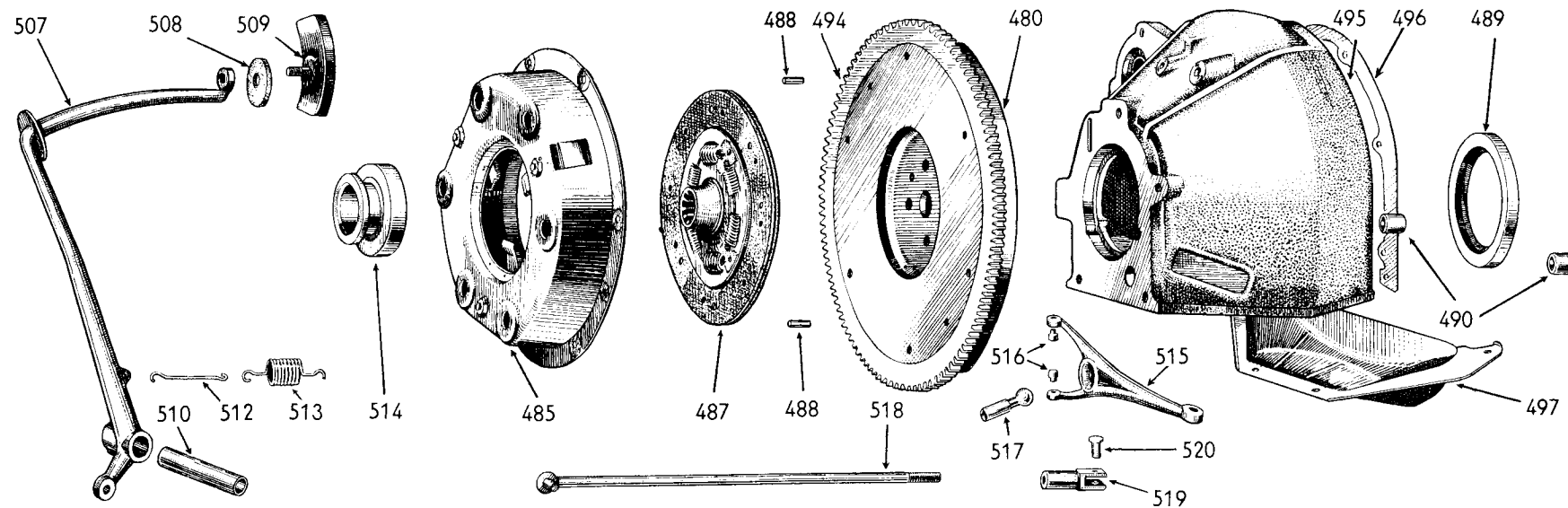


Flywheel and Clutch Assembly



Item No.	Part No.	Quantity	Description	Notes	Item No.	Part No.	Quantity	Description	Notes
			FLYWHEEL AND CLUTCH					CLUTCH OPERATING MECHANISM	
*480	52184AS	1	Flywheel Assembly with Ring Gear and Dowels		507	50458	1	Clutch Pedal—R.H.D.	
*†481	50843	4	„ Bolt		*508	50440	1	Draught Excluder	
†482	50844R	1	Reconditioned Cover and Pressure Plate Assembly—R.H.D.		*509	50418	1	Pedal Pad	
†483	50844/A/R	1	Reconditioned Friction Plate—R.H.D.		510	52288	1	„ Distance Tube	
*†484	52184R	1	„ Flywheel Assembly		†511	FB107/28	1	„ Bolt, $\frac{7}{16}$ in. B.S.F. \times $3\frac{1}{2}$ in.	
485	50844AS	1	Cover and Pressure Plate Assembly—R.H.D.		512	50461	1	Return Spring Link	
*†486	FS105/5	6	Pressure Plate Setscrew		*513	50422	1	Pedal Return Spring—R.H.D.	
487	50844/A	1	Clutch Friction Plate—R.H.D.		*514	50845	1	Clutch Throwout Bearing	
*488	50842	2	„ Dowel		*515	50846	1	„ Operating Lever Fork—R.H.D.	
*489	50838	1	Crankshaft Rear Oil Seal		*516	50847	2	„ „ „ Pin	
*490	50839	2	Ring Dowel		*517	50837	1	Lever Ball Pivot	
*†491	BR140	4	Stud-Clutch Housing to Base Cover and Sump		*518	50462	1	Clutch Operating Rod—R.H.D.	
*†492	50977	2	„ „ to Gear Box		*519	50465	1	„ Rod Fork	
*†493	50976	1	„ „ to Starter		*520	50466	1	Clevis Pin	
*494	J54546	1	Starter Ring Gear					LEFT HAND DRIVE ONLY	
*495	50836	1	Clutch Housing		†530	52420/AS	1	Clutch Cover and Pressure Plate Assembly	
*496	54038	1	„ „ Packing		†531	52420/A	1	„ Friction Plate	
*497	50861	1	„ „ Base Cover		†532	52295	1	„ Pedal only	
					†533	52296	1	„ Operating Rod	
					†534	52345	1	„ „ Lever Fork	
					†535	50422	1	Pedal Return Spring—L.H.D.	

* Denotes items common to Jupiter

Always quote engine, body-frame, part and item numbers in full.

† Denotes items not illustrated